
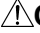




GENUINE REAR SHOCK ABSORBER

INSTALLATION AND USER'S INSTRUCTIONS

Thank you for purchasing a genuine Mazda accessory.
Before removal and installation, be sure to thoroughly read these instructions.
Please read the contents of this booklet in order to properly install and use the rear shock absorber. Your safety depends on it.
Keep these instructions with your vehicle records for future reference.

WARNING

- There are several  **WARNING** and  **CAUTION** sections in this booklet concerning safety when installing or removing the rear shock absorber. Always read and follow them in order to prevent injuries, accidents, and possible damage to the vehicle.
 -  **WARNING:** Indicates a situation in which serious injury or death could result if the warning is ignored.
 -  **CAUTION:** Indicates a situation in which bodily injury or damage to the vehicle could result if the caution is ignored.
- Do not modify the rear shock absorber.
- Do not install the rear shock absorber in any way other than described in the following instructions.
- If in any doubt, please ask your Mazda dealer to install the accessory in order to prevent errors in installation.
- If you have any questions about the use of the accessory, ask your Mazda dealer for proper advice before using it.
- Mazda and its suppliers are not responsible for injuries, accidents, and damage to persons and property that arise from the failure of the dealer or installer to follow these instructions.
- To ensure safety and reliability of the work, installation, removal and disposal work must be carried out by an Authorized Mazda Dealership.
- Be careful not to lose removed parts, and be sure that they are kept free from scratches, grease or other dirt.

PART NAME: REAR SHOCK ABSORBER

PART NUMBER: QSEA 28 700

VEHICLE: Mazda RX-8

NOTE

To the dealer

- Please turn over these instructions to the customer after installation.

To the customer

- Keep these instructions after installation. The instructions may be necessary for installing other optional parts or removal of this accessory.
- Should the vehicle or this accessory be resold, always leave these instructions with it for the next owner.

1 PARTS

Note

- Verify that the kit includes all the following parts and that they are free of dirt, scratches, or damage.
- The actual part number is QSEA 28 700, however, the part number indicated on the accessory is QSE1 28 700. This does not indicate a part shipment mistake.

Part name	Qty.
Rear shock absorber	1

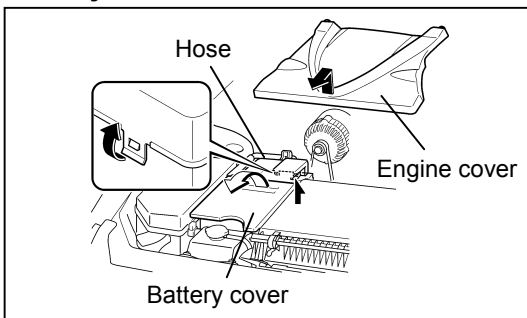
2 BEFORE INSTALLATION

REQUIRED TOOLS

Prepare the following tools or items before installation.

- ★Wrench
- ★49 T034 1A0 (Special service tool)
- ★49 T034 101 (Special service tool)
- ★49 T034 105 (Special service tool)
- ★49 0107 680A (Special service tool)
- ★49 T034 102 (Special service tool)
- ★49 T034 103 (Special service tool)
- ★49 T034 104 (Special service tool)
- ★Clean rag

Battery removal



1. Remove the engine cover.
2. Remove the hose from the battery cover.
3. Lift up the rear of the battery cover and remove.
4. Disconnect the negative battery cable.

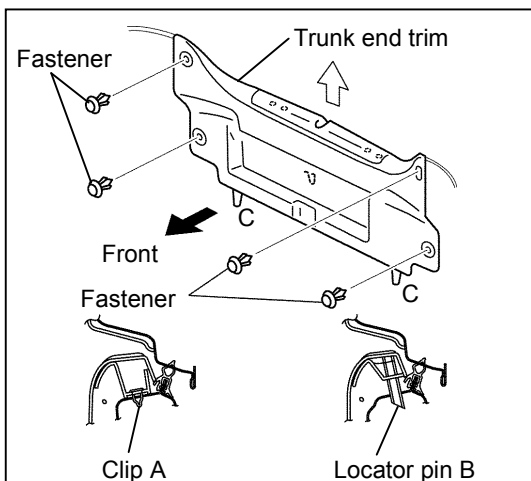
⚠ WARNING

- Never place the battery near an open flame. Flammable gas from the battery can be ignited resulting in an explosion.

3 VEHICLE PARTS REMOVAL

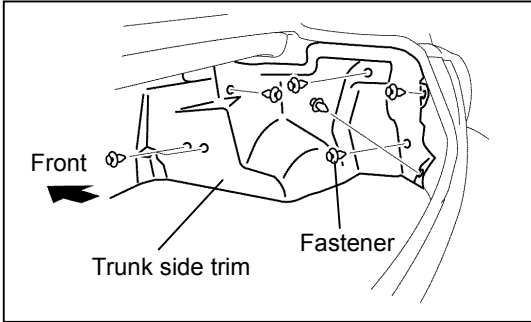
⚠ CAUTION

- Performing the following procedures without first removing the ABS wheel-speed sensor may possibly cause an open circuit in the wiring harness if it is pulled by mistake. Before performing the following procedures, remove the ABS wheel-speed sensor (axle side) and fix it to an appropriate place where the sensor will not be pulled while the installation work is performed.



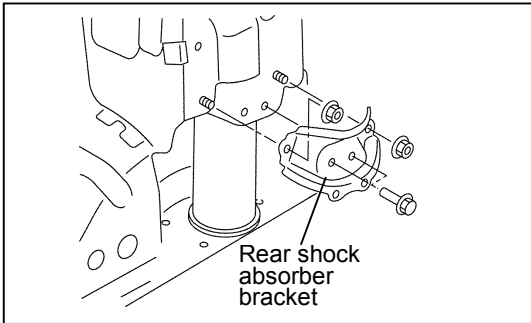
Trunk end trim removal

1. Remove the fasteners.
2. Pull the trunk end trim upward, then detach clip A, locator pin B, and tabs C.
3. Remove the trunk end trim.



Trunk side trim removal

1. Remove the fasteners, then remove the trunk side trim.

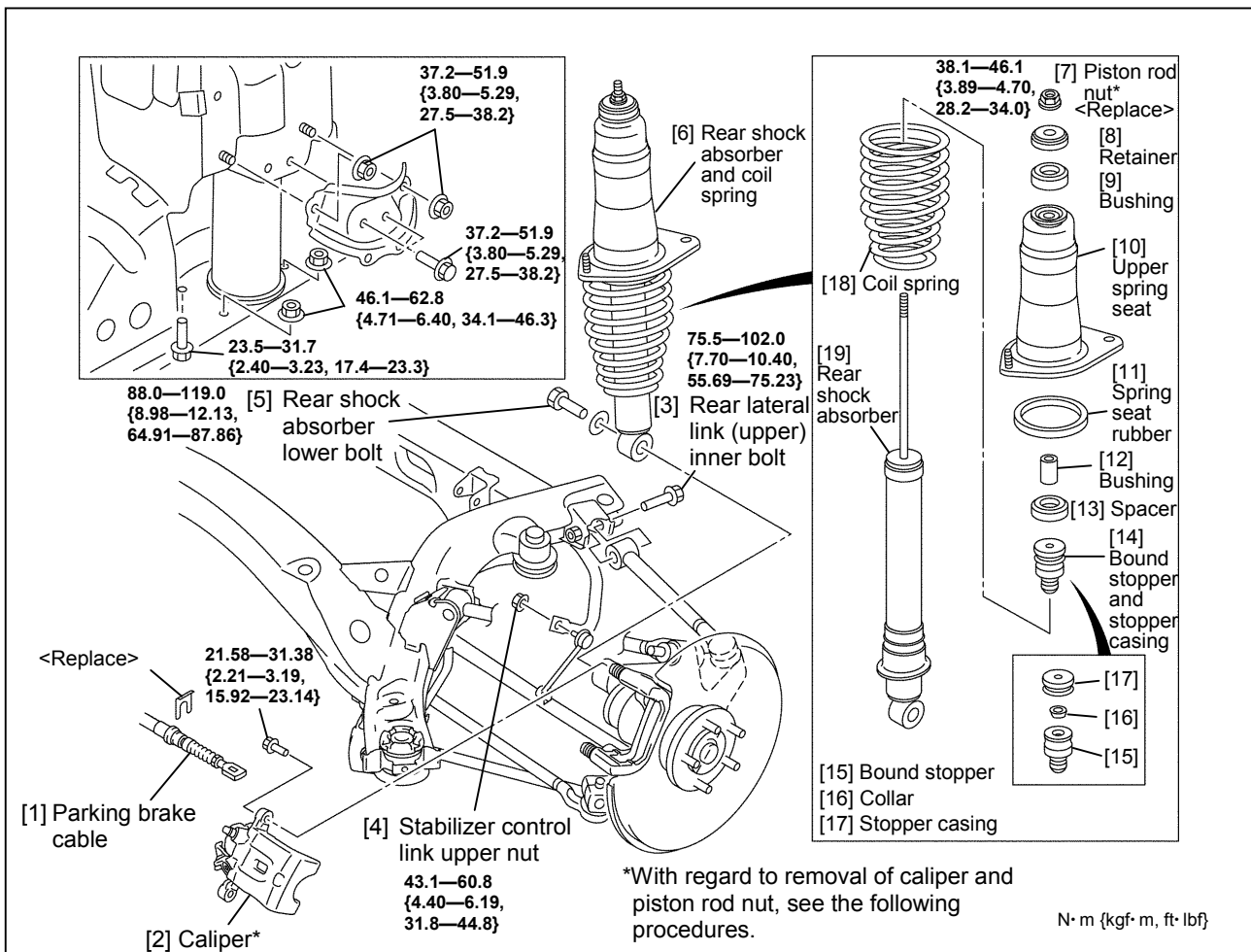


Rear shock absorber bracket removal

1. Remove the rear shock absorber bracket.

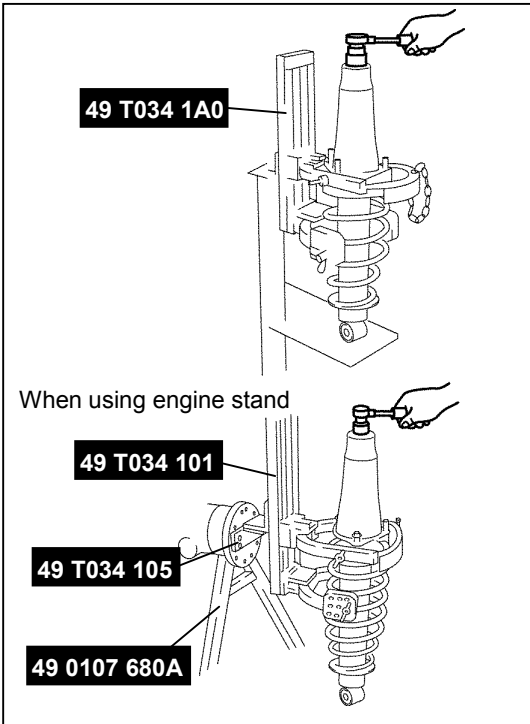
Rear shock absorber removal

1. Remove parts [1] to [19] in the order indicated in the figure.



Caliper removal

1. Remove the caliper and hang the cable out of the way.



Piston rod nut removal

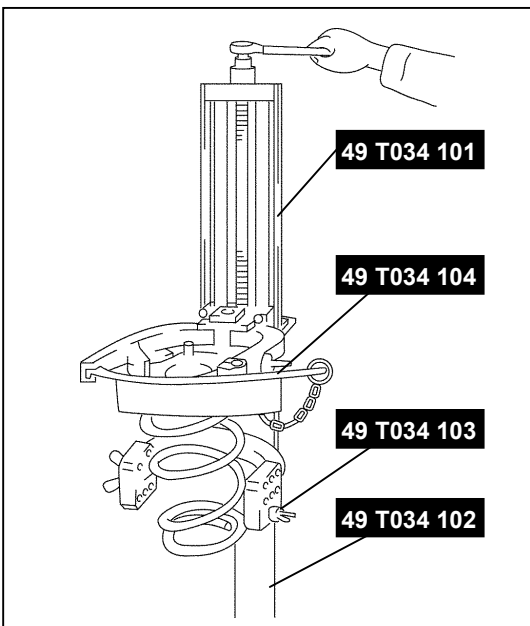
⚠ WARNING

- Before removing the piston rod nut, secure the shock absorber and spring in the special tools. Otherwise, the shock absorber and spring could fly off under tremendous pressure and cause serious injury or death, or damage to the vehicle.

- 1) Protect the coil spring from scratches using a clean rag, and install the special service tools.
- 2) Using the special service tools, compress the coil spring and remove the piston rod nut.

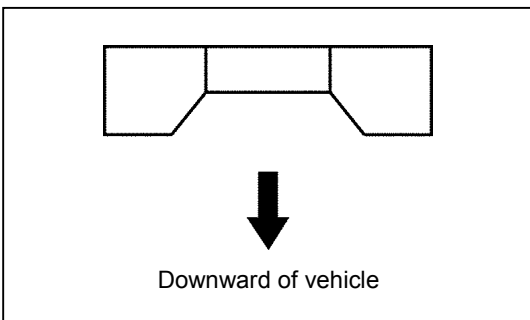
4 REAR SHOCK ABSORBER INSTALLATION

1. Assemble the accessory kit rear shock absorber and the coil spring.



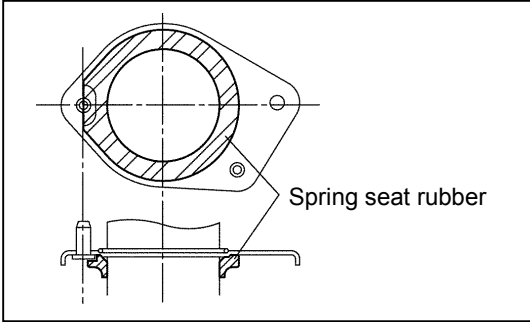
Coil spring installation note

- 1) Protect the coil spring from scratches using a clean rag, and install the special service tools.
- 2) Compress the coil spring using the special service tools.
- 3) Install the shock absorber so that the lower end of the coil spring is seated on the step of the lower spring seat.



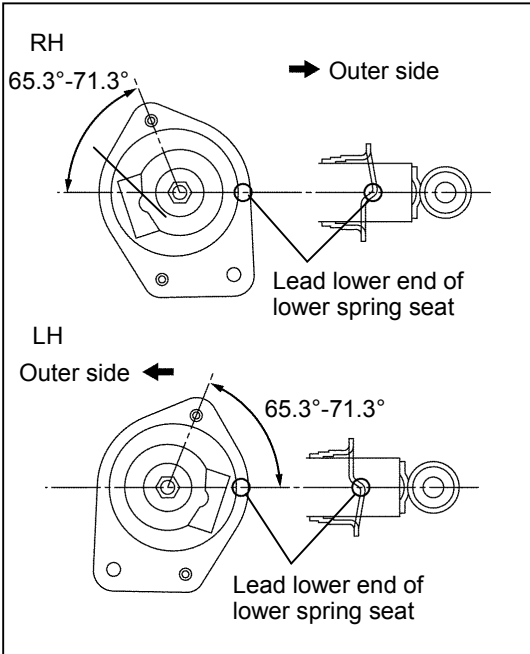
Collar installation

- 1) Install the collar so that the tapered side is facing downward as shown in the figure.



Spring seat rubber installation

- 1) Install the spring seat rubber to the upper spring seat as shown in the figure.



Rear shock absorber and coil spring installation

- 1) Install the coil spring with the lead lower end of the lower spring seat facing the direction shown in the figure.

2. Reinstall the parts removed in step 2 of 3. VEHICLE PARTS REMOVAL in the reverse order of removal.

⚠ CAUTION

Make sure that the vehicle parts are clean before reinstalling. Clean any dirty parts.

3. Install the trunk side trim and the trunk end trim in the reverse order of removal.
4. For the joint sections with rubber bushings, raise the vehicle using a lift, and then temporarily tighten the installation bolts and nuts. Lower the vehicle to the ground and tighten them completely with the specified torque.

Battery terminal and engine cover reinstallation

- After installing the rear shock absorbers, check that each part is securely fixed and all the parts are installed.
- Connect the negative battery cable.

CAUTION

When the battery is disconnected, the DSC indicator light will no longer operate.
(At this time, the DSC OFF indicator light flashes and the TCS/DSC operation indicator light illuminates.)

Perform the following procedure to enable DSC operation.

1. Turn the ignition switch to the ON position.
2. Turn the steering wheel fully right and then fully left.
3. Verify that the DSC OFF indicator light goes out.
4. Turn the ignition switch off and once again to the ON position.
5. Verify that the TCS/DSC operation indicator light goes out.

If the TCS/DSC operation indicator light and the DSC OFF indicator light do not go out even after the ignition switch is turned to the ON position, contact an Authorized Mazda Dealer.

CAUTION

When the battery is disconnected, the power window will no longer fully open/close automatically.
Perform the following procedure to restore the function.

1. Turn the ignition switch to the ON position.
2. Press the switch to fully open the window.
3. Pull up the switch to fully close the window and continue to pull it up for about two seconds.

- Install the battery cover, hose, and engine cover in the reverse order of removal.

CAUTION

After attaching the engine cover, check that it is securely fixed.